



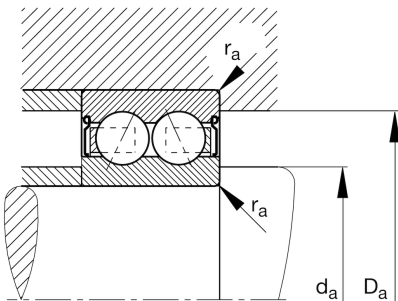
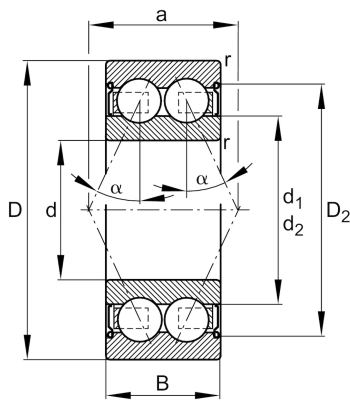
## 3006-2Z

Angular contact ball bearing

Schaeffler ID:  
0009590060000

Angular contact ball bearing 30..-B-2Z-TVH, double row, shields, plastic cage

### Technical information



### Main Dimensions & Performance Data

d	30 mm	Bore diameter
D	55 mm	Outside diameter
B	19 mm	Width
$C_r$	19.900 N	Basic dynamic load rating, radial
$C_{0r}$	15.400 N	Basic static load rating, radial
$C_{ur}$	800 N	Fatigue load limit, radial
$n_G$	10.100 1/min	Limiting speed
$n_{gr}$	10.100 1/min	Reference speed
	0,16 kg	Weight

### Mounting dimensions

$d_{a \min}$	34,6 mm	Minimum diameter shaft shoulder
$D_{a \max}$	50,4 mm	Maximum diameter of housing shoulder
$r_{a \max}$	1 mm	Maximum fillet radius

### Dimensions

$r_{\min}$	1 mm	Minimum chamfer dimension
$D_2$	49,1 mm	Caliber diameter outer ring
$d_2$	35,6 mm	Caliber diameter inner ring
a	27,4 mm	Distance between the apexes of the pressure cones
$\alpha$	25 °	Contact angle

### Temperature range

$T_{\min}$	-20 °C	Operating temperature min.
$T_{\max}$	120 °C	Operating temperature max.